

DTP 105

TAKTON



Benefits:

- LED accent-lighting solution with a reasonable payback compared to conventional technologies
- Suitable for food and fashion retailers
- Available in a choice of black or white finish

TYPE	Product type: DTP 105
FUNCTIONALITY	Managing system: DALI2, CASAMBI Initial LED luminaire efficacy: Up to 119lm/W Color Rendering Index (CRI): 90 as a standard Power supply: Track Adaptor Driver included Light source: Philips or Cree COB LED module
ELECTRICAL PARAMETERS	Driver type: Track Adaptor Driver Electrical isolation class IEC: Class II Power factor nominal: 0,95 Input voltage: 220-240V Power consumption: 34,41W depends on type
MECHANICAL PARAMETERS	Ingress protection: IP20 Impact resistance: IK02 Color: White or Black Installation: Track mounted

LIGHTING PERFORMANCE

CCT:

3000K, 3500K, 4000K

Color rendering index, CRI:

> 90

Initial color shift, SDCM:

< 3

Light source:

COB modules

Luminaire lumen output range, lm:

3850-4700 lm depending on type

Photobiological safety:

RG1

Type of optic:

PC, Aluminium coated

Light distribution:

15, 36, 60 dgr

OVERTIME PERFORMANCE

Median useful life of LED source:

L80B50, 50 000 Hours

Power consumption tolerance:

+/- 5%

ENVIROMENTAL CONDITIONS

Ambient temperature range:

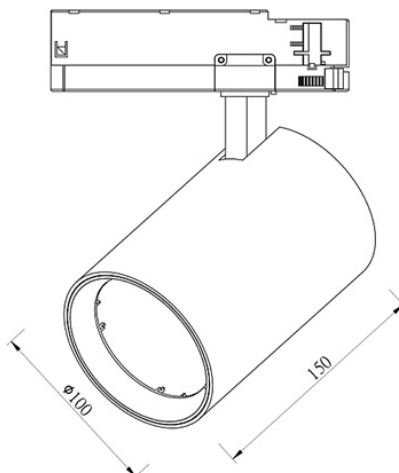
0 to +35 °C

GENERAL INFORMATION

Warranty period:

5 years

Dimensions:



Application:

- Shops
- Show rooms
- Meeting rooms
- Circulation areas
- Hospitality

Packaging:

- Inner box – 1 pcs
- Outer box – 16 pcs

PRODUCT FAMILY RANGE

DTP105					
Luminaire type	90	CCT, K	lm	W	lm/W
DTP105	90	3000	3850	34	113
DTP105	90	3000	4520	41	110
DTP105	90	3500	3980	34	117
DTP105	90	3500	4580	41	112
DTP105	90	4000	4050	34	119
DTP105	90	4000	4700	41	115