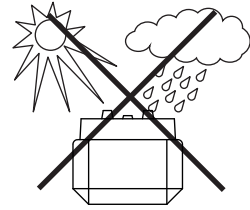


# DWL-L Mounting instruction

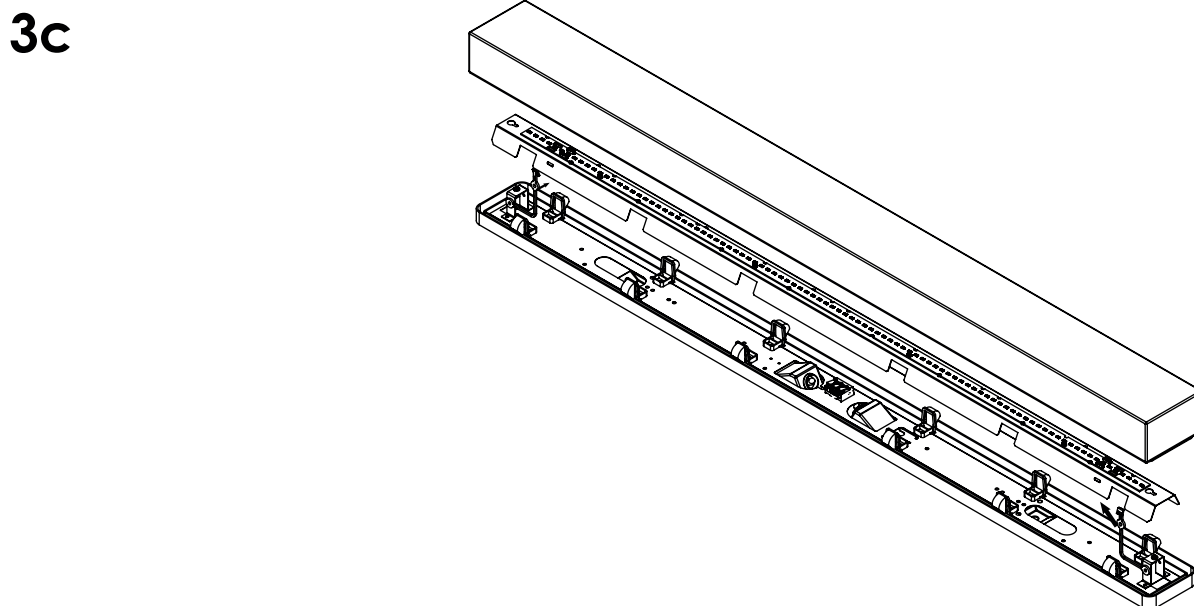
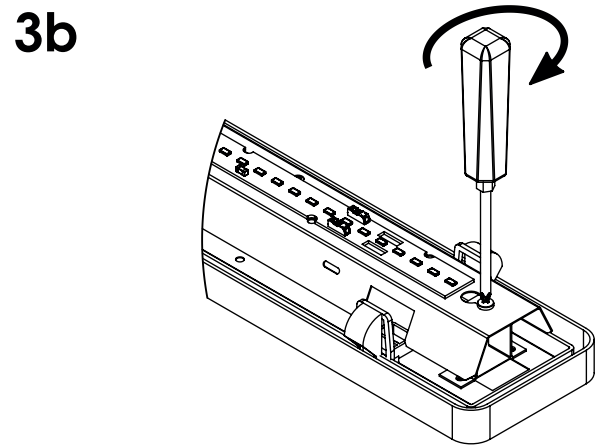
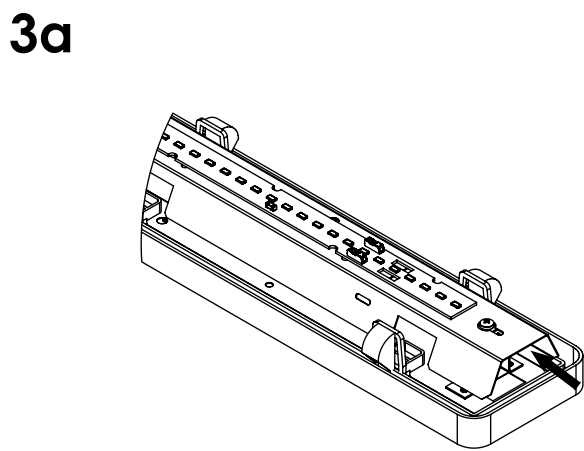
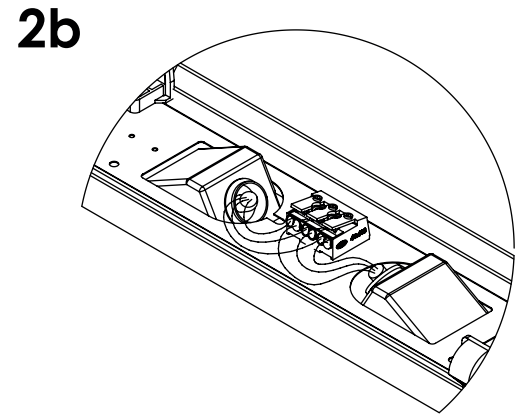
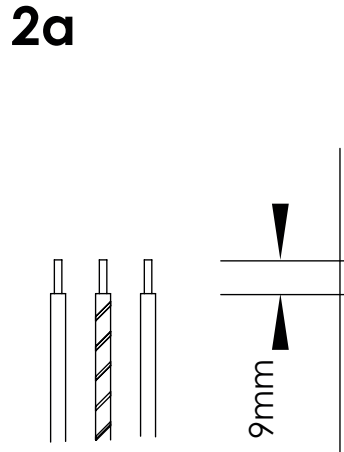
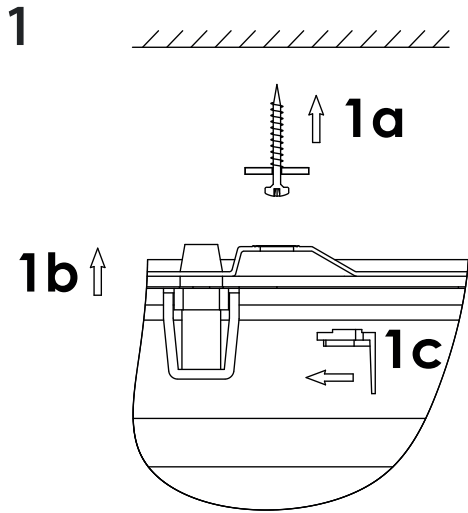
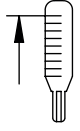
**TAKTON**



**!** The installation should be carried out by an electrician or by any similarly qualified person.



max. 25°C

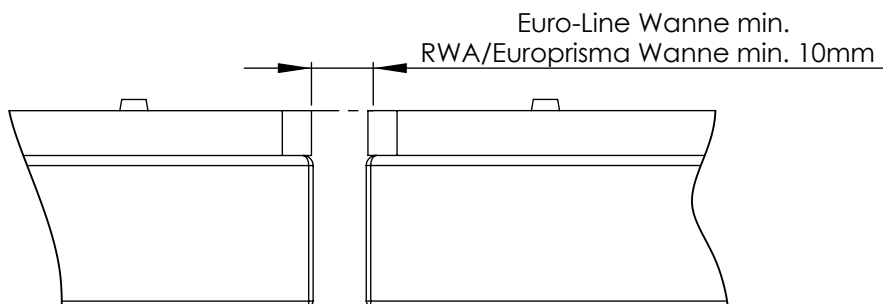


# DWL-L Mounting instruction

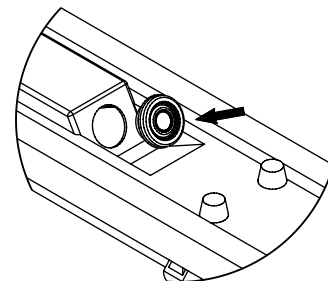
**TAKTON**



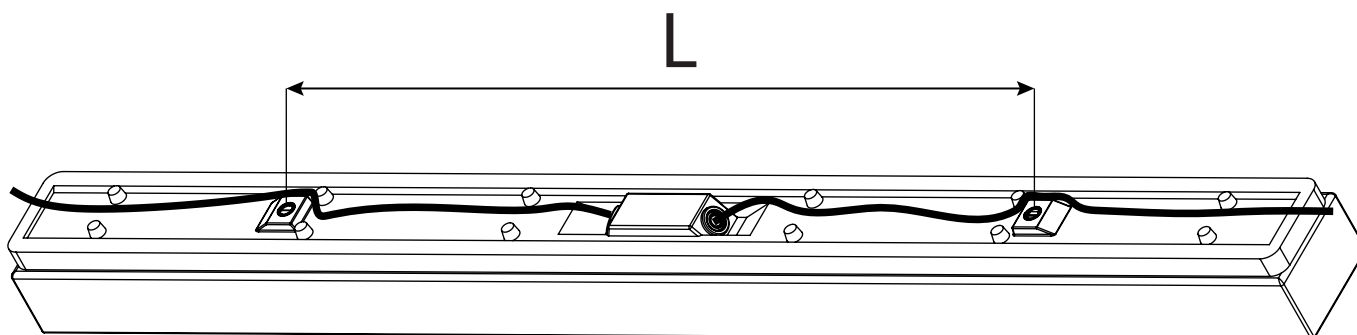
**4**



**5**

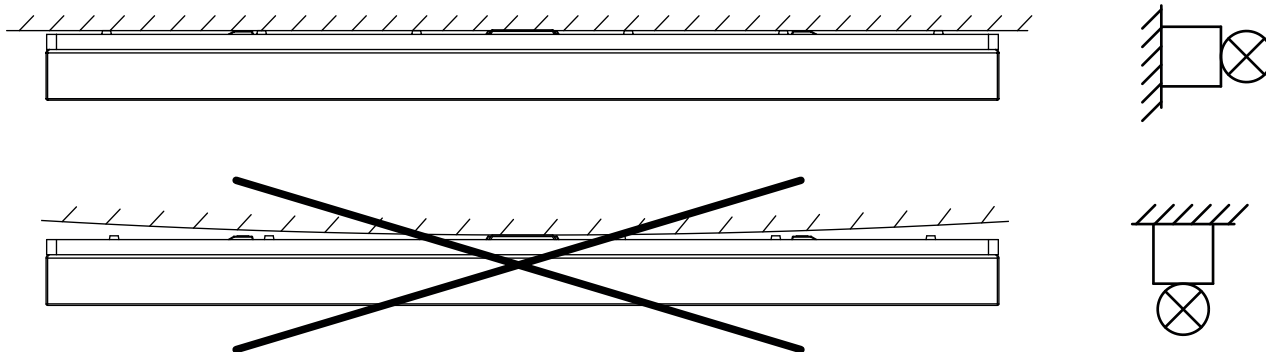


**6**



Typ	Befestigungsabstand L
Typ-LED 1250	740mm
Typ-LED 1550	850mm

**7**



- Luminaires with limited surface temperatures.
- For use in environments where an accumulation of non-conductive dust on the luminaire.
- Installation/maintenance only by skilled personnel.
- During overhaul/maintenance only use original parts.
- If any luminaire is subsequently modified, the person responsible for the modification shall be considered the manufacturer.

- The manufacturer bears no liability for damage caused by inappropriate use or application.
- Due to problems with chemical resistance, choose cleaning materials which are suitable for plastic.