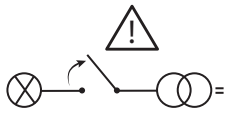
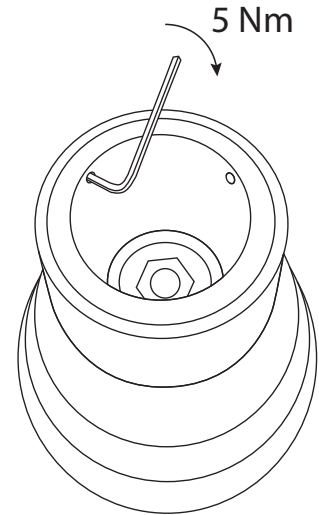
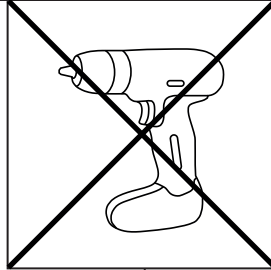
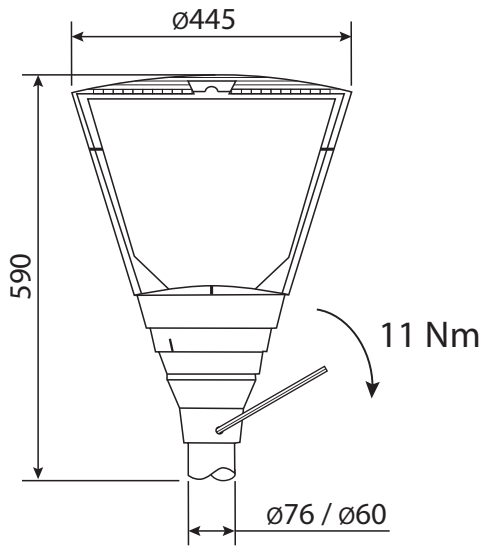


DPS 355 Mounting instruction

TAKTON

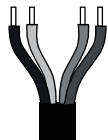
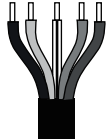


The installation should be carried out by an electrician or by any similarly qualified person.



DAN PE LDA

DAN LDA



5 X 1.5mm²

4 X 1.5mm²

DA	BLACK
N	BLUE
PE	YELLOW-GREEN
L	BROWN
DA	GREY

