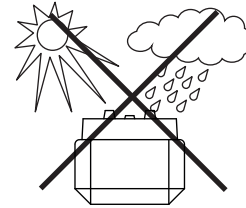


DCW116 Mounting instruction

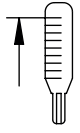
TAKTON



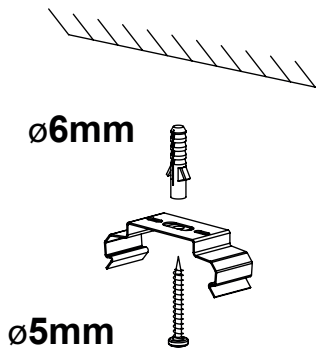
! The installation should be carried out by an electrician or by any similarly qualified person.



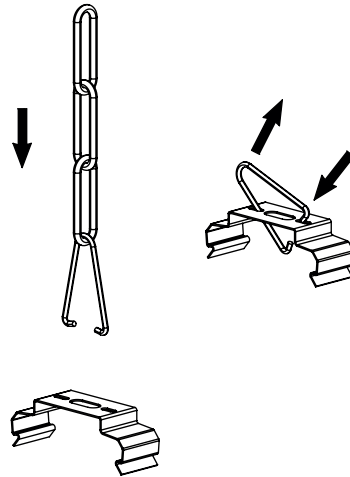
max. 35°C



1a Clip

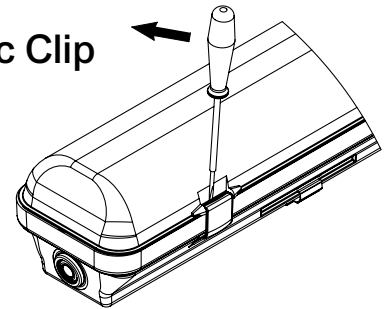


1b Chain

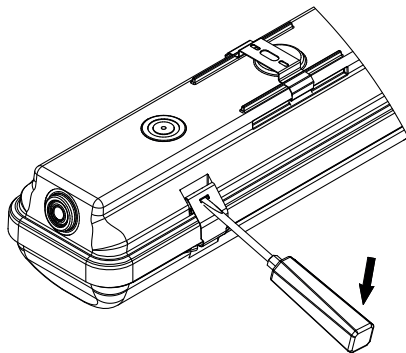


2a

Open:
Plastic Clip

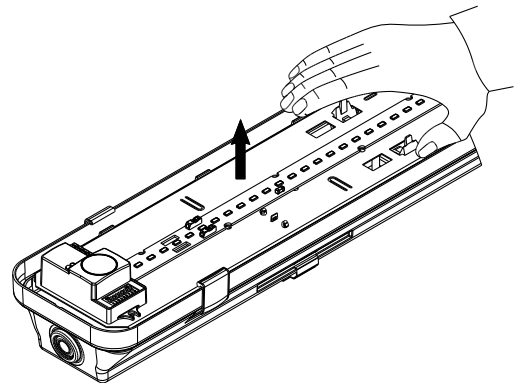


2b



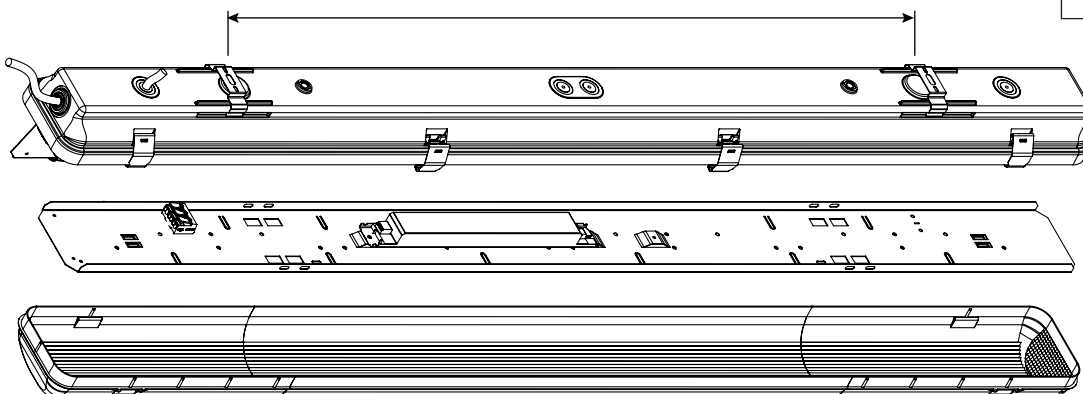
Open: V2A

3

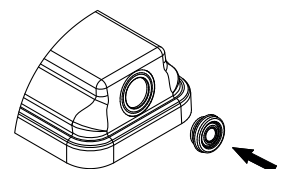


4

Type P	1550, 1165	±60mm	(1105-1225mm)
Type PC	1550, 900mm	±3mm	(897-903mm)

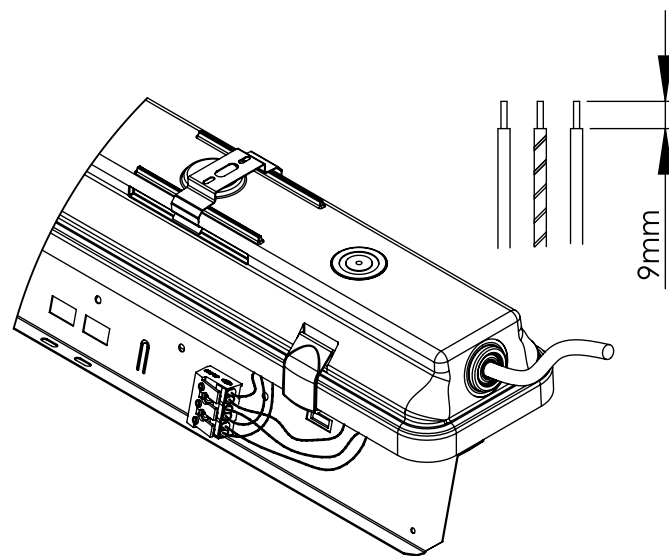
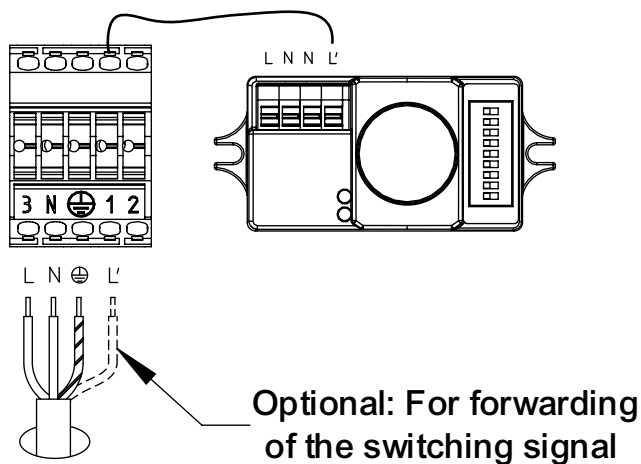


5

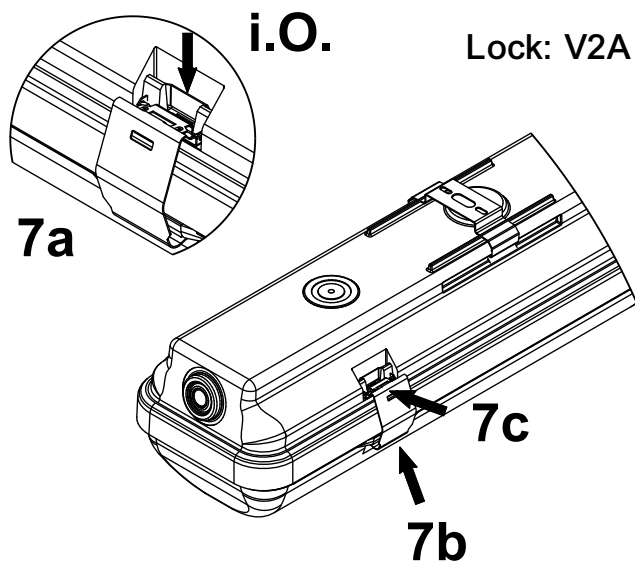


6

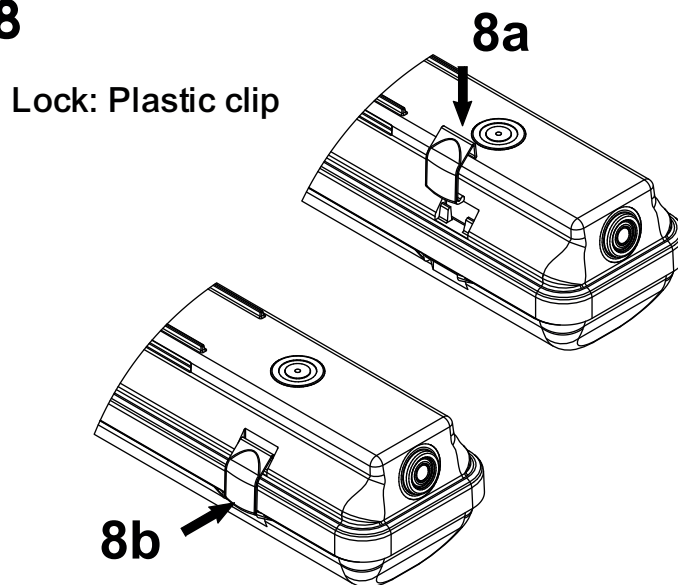
With HF-Sensor
Read HF-Sensor mounting instruction



7



8



WARNING
READ HANDLING INSTRUCTIONS
ELECTROSTATICALLY SENSITIVE
COMPONENTS



- Luminaires with limited surface temperatures.
- For use in environments where an accumulation of non-conductive dust on the luminaire.
- Installation/maintenance only by skilled personnel.
- During overhaul/maintenance only use original parts.
- If any luminaire is subsequently modified, the person responsible for the modification shall be considered the manufacturer.

- The manufacturer bears no liability for damage caused by inappropriate use or application.
- Due to problems with chemical resistance, choose cleaning materials which are suitable for plastic.
- The light source contained in this luminaire shall only be replaced by the manufacturer or his service agent or a similar qualified person.