

DCF 323 Ecoline Highbay

TAKTON



Benefits:

- High energy efficacy
- Low initial costs
- High protective grade
- Significant reduction in maintenance
- 1-10V managing
- Easy to install



FAMILY INFORMATION

Type

DCF 323 Ecoline Highboy

Light source

LED module Philips Fortimo

Ballast

Driver Philips Xitanium

Maintenance of lumen output - L80B20

50 000 Hours

Input voltage

220 to 240 V

Power factor

0,95

Power consumption

110 – 180 W depending on type

Initial luminous flux

15 000, 20 000, 24 000 lm depending on type

Initial System Efficacy

132 - 136 Lm/W

Diffuser

PC diffuser

Color rendering index (CRI)

>80

Operating temperature range

-15 to +40 °C

Optic type

Reflector 60D, 90D. Without reflector 120D

Body material

Housing: high-pressure, die-cast aluminium

Color

Black

Impact resistance

IK07

Ingress protection

IP65

Electrical safety

Class I

Application

- Industrial halls • Warehouses • Exhibition halls
- Supermarkets • Food production area

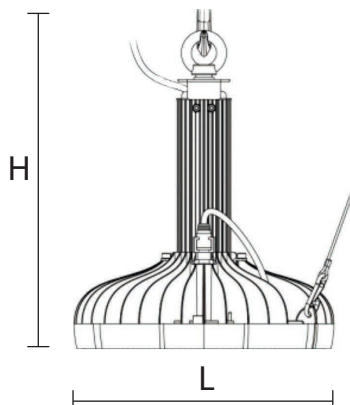
DCF 323 Ecoline Highbay

TAKTON

PRODUCT FAMILY RANGE

Code	Type	System flux lm	Power W	CCT K	LED current A	Efficacy Lm/W	Maintenance L80B20, hours	Weight kg
700151145203	DCF323 LED150 114W 840 l 120D	15 000	114	4000	1,05	132	50 000	3.7
700151145201	DCF323 LED150 114W 840 l 60D	14 350	114	4000	1,05	126	50 000	4.0
700151145202	DCF323 LED150 114W 840 l 90D	14 060	114	4000	1,05	123	50 000	4.0
700151145206	DCF323 LED200 154W 840 l 120D	20 000	154	4000	1,05	130	50 000	4.1
700151145204	DCF323 LED200 154W 840 l 60D	19 200	154	4000	1,05	125	50 000	4.4
700151145205	DCF323 LED200 154W 840 l 90D	18 800	154	4000	1,05	122	50 000	4.4
700151145209	DCF323 LED240 183W 840 l 120D	24 000	183	4000	1,05	131	50 000	4.4
700151145207	DCF323 LED240 183W 840 l 60D	23 130	183	4000	1,05	126	50 000	4.7
700151145208	DCF323 LED240 183W 840 l 90D	22 860	183	4000	1,05	125	50 000	4.7

DIMENSIONS



Type	L(mm)	H(mm)
DCF323 LED 150	273	250
DCF323 LED 200	273	250
DCF323 LED 240	310	300

DCF 323 Ecoline Highbay

TAKTON

