

TAKTON VIKING

Mounting instruction

Instructions de montage
Montageanleitung
Montageinstruktio
Instruzioni di montaggio

Instrucciones de montaje
Instruções de montagem
Monteringsinstruktioner
Monteringsvejledning

Kokoonpano- ja kiinnitysohjeet
Montaj yönergesi
Návod k montázi
Instrukcja montażu

Szerelési utasítások



LED

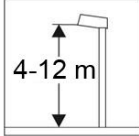
~220V...240V
50/60Hz

IP66

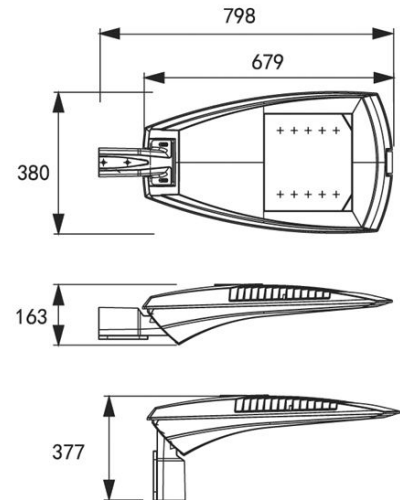
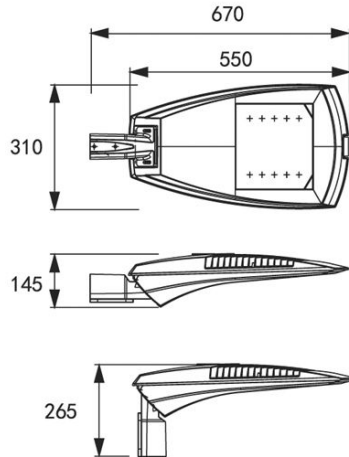
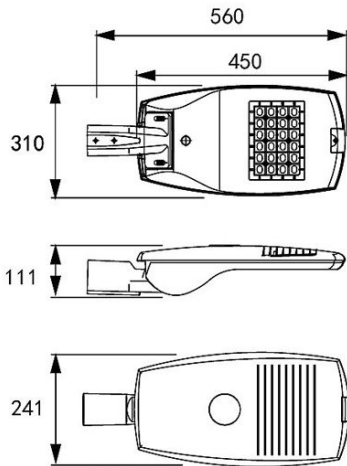
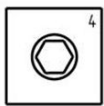
IK09



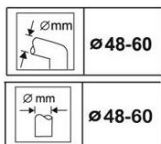
CE



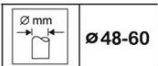
Disconnect before servicing
Mettre hors tension avant intervention
Öffnen nur spannungsfrei
Demonteren voor onderhoud
Togliere tensione prima di fare manutenzione
Desconectar antes de manipular
Bryt strömmen före lampbyte



Netto Weight, not more:
DKS 751 - 5 kg, DKS 752 - 7kg, DKS 753 -10 kg

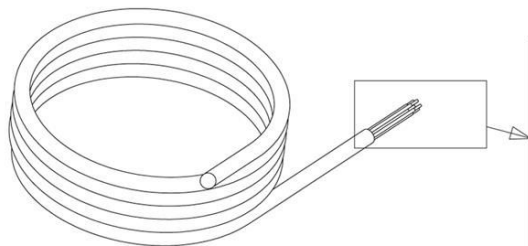


Ø48-60

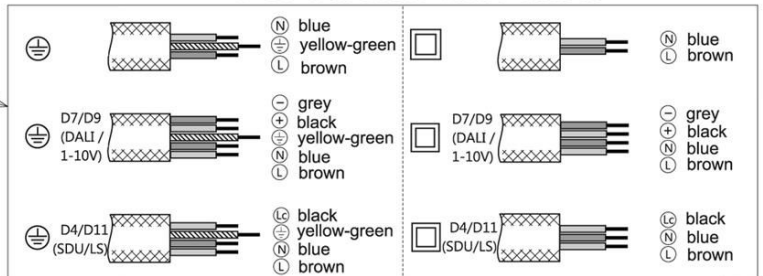


Ø48-60





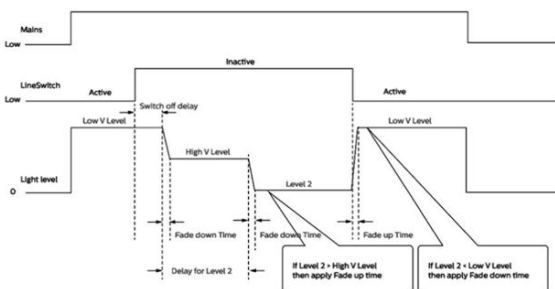
For version with cable



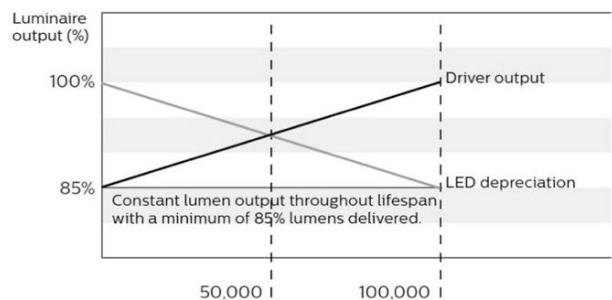
Technical information

Functionality

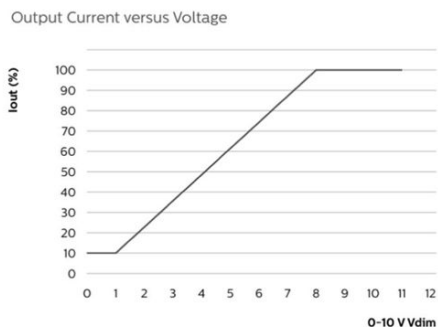
Single wire switching – “Line Switch”



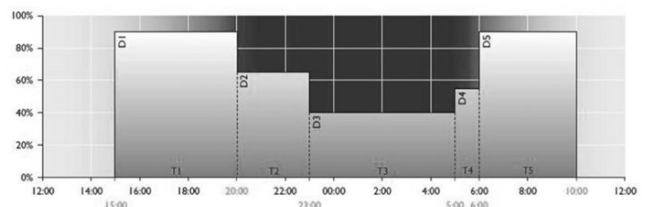
Constant Light Output – “CLO”



0-10V dimming



Auto dimming – “Dynadimmer”



LED modules can be replaced by manufacturer only.
 Type of modules - Philips Fortimo Fast Flex Generation 4.
 Windage area CxS, sq.m, not more:
 DKS 752 - 0,17 m² above/below and 0,098 m² side position;
 DKS 753 - 0,26 m² above/below and 0,13 m² side position.

