

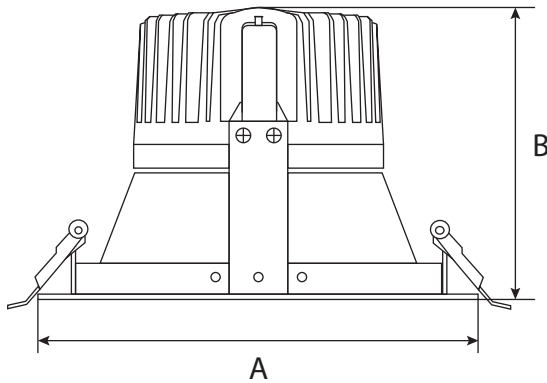
Downlight WL310

Mounting instructions

TAKTON



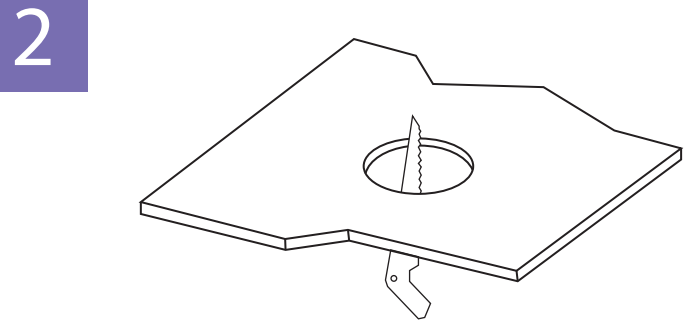
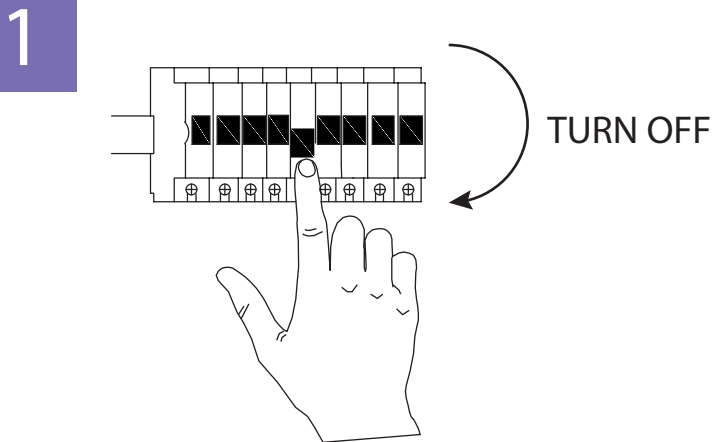
! The installation should be carried out by an electrician or by any similarly qualified person.



DIMENSIONS: (A x B)

36W = \varnothing 180x94 mm

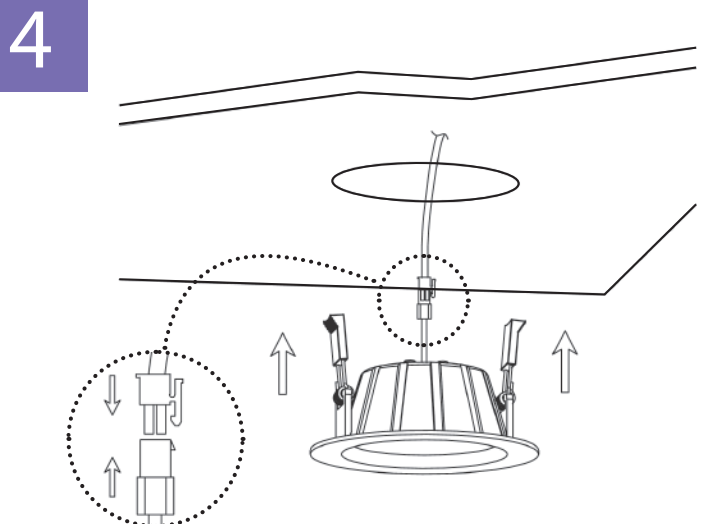
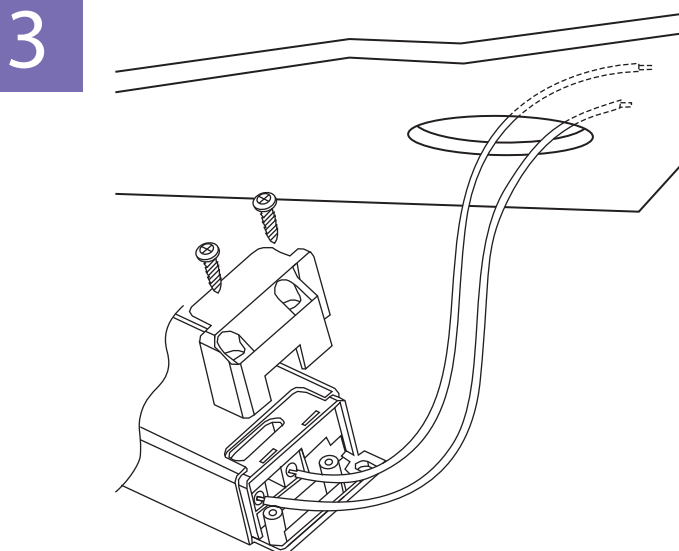
50W = \varnothing 212x110 mm



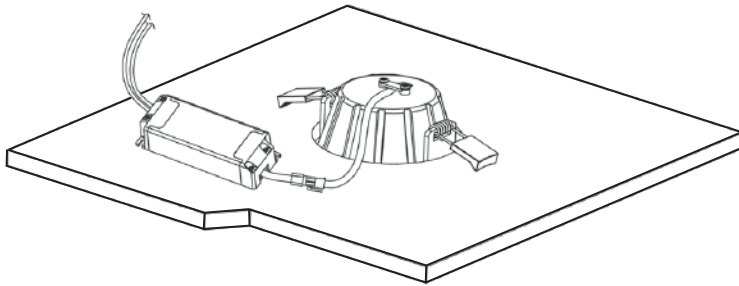
CEILING CUTOUT:

36W = \varnothing 165 mm

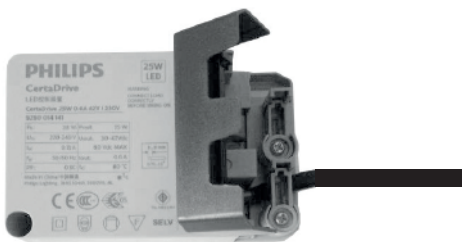
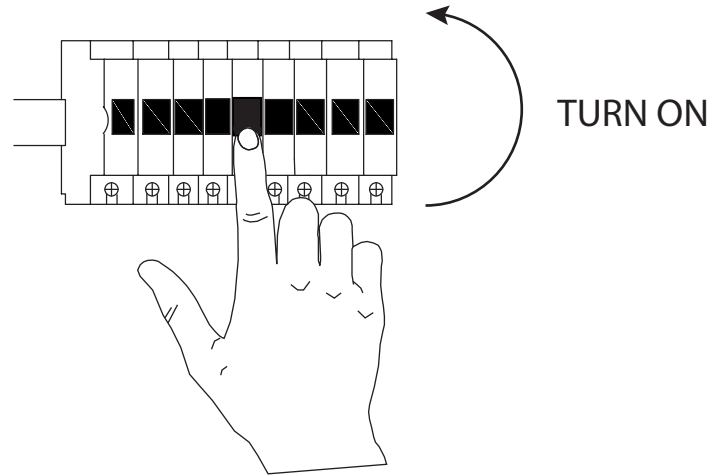
50W = \varnothing 200 mm



5



6



L 230V
N AC/DC
DA1 DALI-Signal
DA2

Please read these instructions carefully before attempting to install this product.

- This product is designed for installation on a T-bar ceiling system only.
- Safety cable connection with the hook is recommended for safety purposes only. The hook cannot be used for suspending the module.
- Please follow this installation guide strictly.
- The module can only be installed into a ceiling that is perfectly horizontal and is safely suspended to a carrying structure.
- The module shall only be installed or replaced by a qualified electrician and connected in accordance with latest IEE electrical regulations or national requirements.
- If the external flexible cord of this module is damaged, it shall be exclusively replaced by the manufacturer or his service agent or a similar qualified person in order to avoid a hazard.
- The supply cord and cable provided with the module is intended for indoor use only.
- This module is intended for indoor use only.
- In any case, insulation matting or other similar materials cannot cover the module.

CAUTION

RISK OF BURN INJURIES

During and after use the unit may be hot. Do not touch the unit before it has completely cooled down.

Failure to follow these instructions can result in minor injuries, or equipment damage.